

# FRIENDLY WATER®

POOL and WELLNESS EQUIPMENT

Dimension: liquid 0687X resist 34Z



*Always crystal clean water*  
*Винаги кристално чиста вода*

d800



PROFESSIONAL SAND FILTERS FOR SWIMMING POOLS

ПРОФЕСИОНАЛНИ ПЯСЪЧНИ ФИЛТРИ ЗА БАСЕЙНИ





PROFESSIONAL SAND FILTERS FOR SWIMMING POOLS

## FRIENDLY WATER - Pro D 800

Manufactured & licence by Friendly Water Corporation

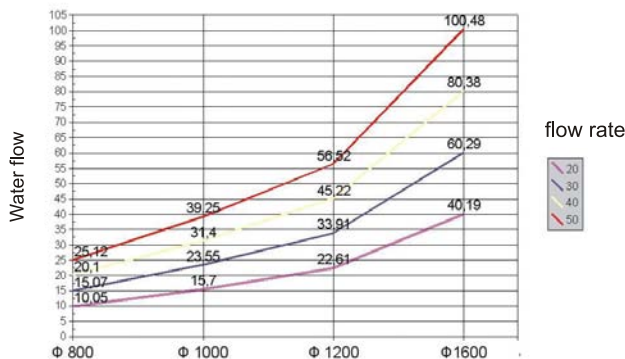
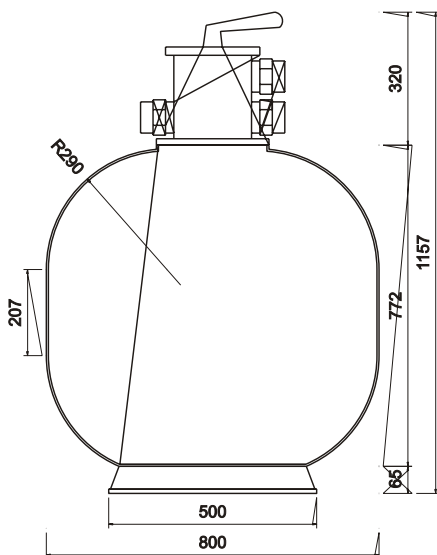
PROFESSIONAL SAND FILTER 20 m<sup>3</sup>/h, one of the most quality filters in the pool business. Filter body: hand-made, reinforced with fiberglass and polyester, two-piece construction, laminated and polished surface.

Color: black.

Equipment: manual air release valve, top hatch for sand removal, system of reinforced professional double collectors, manometer, drain probe.

Working pressure: max 2,5 bar.  
 Testing pressure: max 3,5 bar.  
 Flow rate: 40 m<sup>3</sup>/h/m<sup>2</sup>  
 Working temperature: max 50°C

Sand height: 850 mm.  
 Warranty: 3 years.



Code	Diameter mm	Height mm	Water flow, m <sup>3</sup> /h			Sand, kg		Filtration area, m <sup>2</sup>	Sand height mm	Connections
			at flow rate 30 m <sup>3</sup> /h/m <sup>2</sup>	at flow rate 40 m <sup>3</sup> /h/m <sup>2</sup>	at flow rate 50 m <sup>3</sup> /h/m <sup>2</sup>	0.4-0.8 mm	1.3-3.5 mm			
Cod	Diametru mm	Inaltime mm	Debit de nisip, aria de filtrare: m <sup>2</sup>			Nisip: kg		Filtrarea suprafață, m <sup>2</sup>	Inaltimea stratului de nisip: mm	Conexiune
			Conexiune la viteza: 30 m <sup>3</sup> /h/m <sup>2</sup>	Conexiune la viteza: 40 m <sup>3</sup> /h/m <sup>2</sup>	Conexiune la viteza: 50 m <sup>3</sup> /h/m <sup>2</sup>	0.4-0.8 mm	1.3-3.5 mm			
Kog	Диаметр мм	Высота мм	Производительность (м <sup>3</sup> /ч)			Песок, кг		Фильтровальная площадь, м <sup>2</sup>	Высота песочного слоя, мм	Соединение
			при скорости 30 м <sup>3</sup> /ч/м <sup>2</sup>	при скорости 40 м <sup>3</sup> /ч/м <sup>2</sup>	при скорости 50 м <sup>3</sup> /ч/м <sup>2</sup>	0.4-0.8 мм	1.3-3.5 мм			
<b>FWPV800*</b>	800	1000	15	20	25	410	-	0.50	850	2"
<b>FWPV1000*</b>	1000	1380	24	30	40	650	200	0.79	1050	2"
<b>FWPV1200*</b>	1200	1300	34	48	56	1200	350	1.13	1150	2"
<b>FWPV1600</b>	1600	2150	58	77	97	3050	280	1.95	1400	Ø125

FRIENDLY WATER Europe

BULGARIA RUSSIA ROMANIA UNITED KINGDOM  
[www.friendly-water.com](http://www.friendly-water.com)